



MM25203P SERIES ~ Wire Wound Chip Common Mode Choke



FEATURES

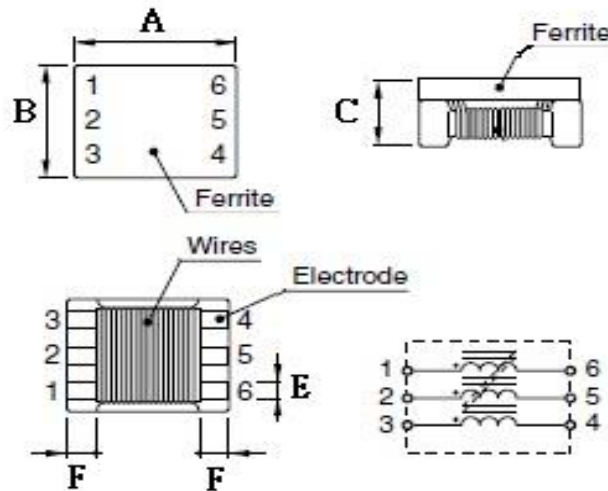
1. Miniature surface mount component – 2.5 × 2.0 mm footprint, 1.8 mm high
2. Application for CAN-BUS, Fax, ISDN, FlexRay system , Ethernet System .
3. RoHS-compliant, halogen free. 260°C compatible.

PART NUMBERING SYSTEM

MM	25203P	—	6 0 1	—	LF
TYPE	DIMENSIONS		INDUCTANCE		LEAD FREE

SHAPES AND DIMENSIONS

UNIT : mm



$$A=2.5\pm 0.2 \quad B=2.0\pm 0.2 \quad C=1.2\pm 0.2 \quad D=0.2\pm 0.1 \quad E=0.5\pm 0.1 \quad F=0.45\pm 0.1$$

SPECIFICATION TABLE

PART NUMBER	Common Mode Impedance(Ω) (at 100MHz)	RATED CURRENT (mA)	DCR (Ω) (Max)	RATED VOLTAGE (VDC Typ.)	INSULATION RESISTANCE (M Ω)
MM25203P-601-LF	600 \pm 25%	200	1.20	50	10 min.
MM25203P-801-LF	800 \pm 25%	150	1.60	50	10 min.
MM25203P-102-LF	1000 \pm 25%	150	1.60	50	10 min.

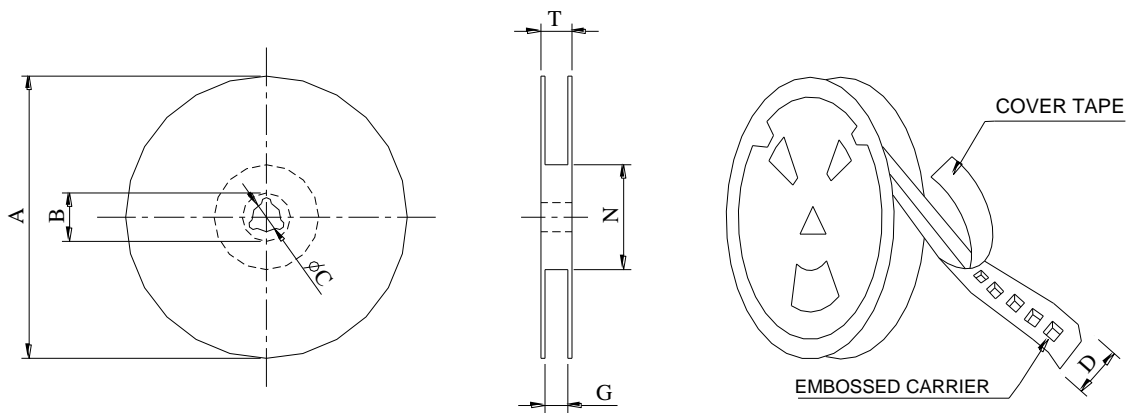
Operating Temperature Range : -40°C to +85°C



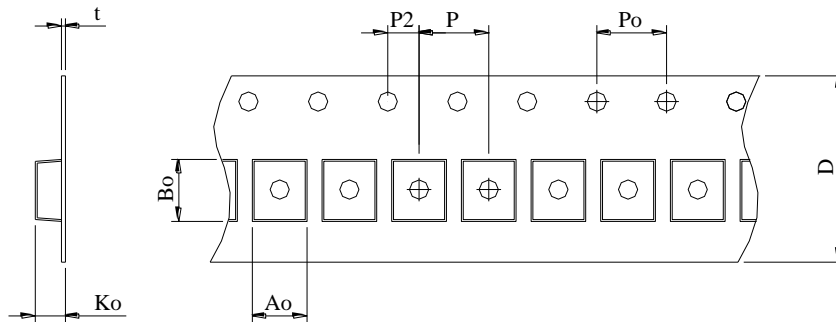
MM25203P SERIES ~ Wire Wound Chip Common Mode Choke



PACKAGING SPECIFICATION



*CARRIER TAPE WIDTH : D



SERIES	STAYLE	Q'TY (PCS)	DIMENSIONS (m/m)								
			A	Ao	Bo	Ko	t	N	P	Po	D
MM25203P	178	2,000	178	2.30	2.74	1.30	0.24	60	4	4	8.0